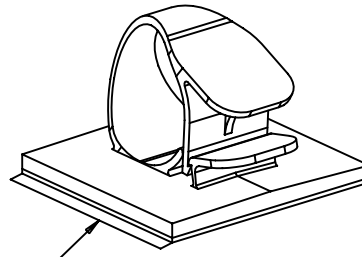
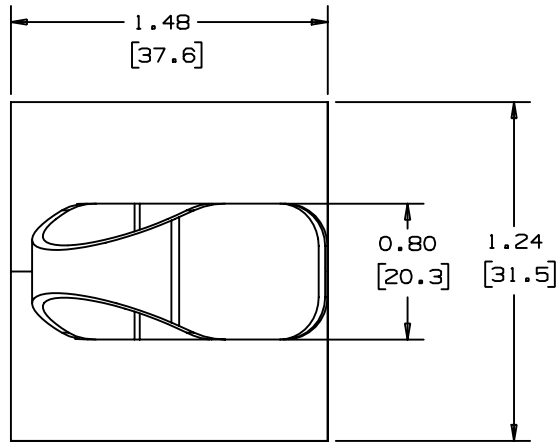
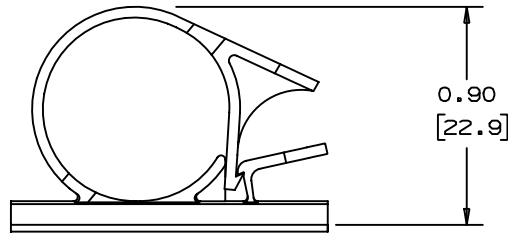


THIS COPY IS PROVIDED ON A RESTRICTED BASIS AND IS NOT TO BE USED IN ANY WAY DETRIMENTAL TO THE INTERESTS OF PANDUIT CORP.



TEAR TAB 3/4 SCALE



TO APPLY LATCHING WIRE CLIP:
(APPLY TO A CLEAN, GREASE FREE SURFACE)

1. REMOVE PROTECTIVE LINER
2. PLACE IN DESIRED LOCATION
3. APPLY PRESSURE TO THE TOP OF LATCHING WIRE CLIP.

ADHESIVE BACKING: PRESSURE SENSITIVE FOAM 0.04 [1.0] THICK WITH PROTECTIVE LINER TO EXTEND BEYOND THE EDGE FORMING A TEAR TAB.

PANDUIT PART NUMBER	MAXIMUM CABLE DIA. IN [MM]	WEIGHT LBS. [g]/100PCS
LWC75-A	0.750 (19.05)	1.20 (5.40)

NOTES

1. SEE CURRENT PRICE SHEET FOR PART NUMBER SUFFIX DESIGNATION, FOR PACKAGE SIZE
2. MOUNT IS DESIGNED TO TO SUPPORT 0.937 lbs (425g) MAX WEIGHT ON A CLEAN, SMOOTH, DRY SURFACE.

NO WARRANTY, EXPRESSED OR IMPLIED, IS MADE BY PANDUIT WITH RESPECT TO ADHESIVE BOND PERFORMANCE. AMONG OTHER THINGS, THE CONDITIONS UNDER WHICH THESE MOUNTS MAY BE APPLIED, AND/OR THE SURFACE TO WHICH THEY MAY BE APPLIED, ARE BEYOND PANDUIT'S CONTROL.

DIMENSIONS IN BRACKETS ARE METRIC [mm]

CAD FILENAME/LAYERS

G00239FD_PB_LWC75A_02

PANDUIT

CORP.

TINLEY PARK, ILLINOIS

LWC75-A, LATCHING WIRE CLIP

UNLESS OTHERWISE SPECIFIED, DIMENSIONAL TOLERANCES ARE:
(.X) ±0.05 (1.3) (.XX) ±0.010 (0.25)
(.XX) ±0.02 (0.5) ANGLES ± 5°

UNLESS OTHERWISE SPECIFIED, ALL DIMENSIONS ARE GIVEN IN INCHES, THIRD ANGLE PROJECTION.

REV	DATE	BY	CHK	DESCRIPTION	ECN	R	CUST	SUP
2	1-7-98	C6SM		CHANGED NOTE 3 ON APLICATION INSTRUCTIONS	GB0239FD	2		
1	12-15-97	JAD		REVISED DIMENSIONS ADDIING METRIC VALUES	GB0239FD	1		
R	06/18/97	JOS		INITIAL RELEASE	GB0239FD	R		

DRAWN BY JOS

MAT'L:

SCALE

N/A

DATE

6/18/97

NYLON 6/6

DRAWING NO.

GB0239FD

DWG

A
SIZE